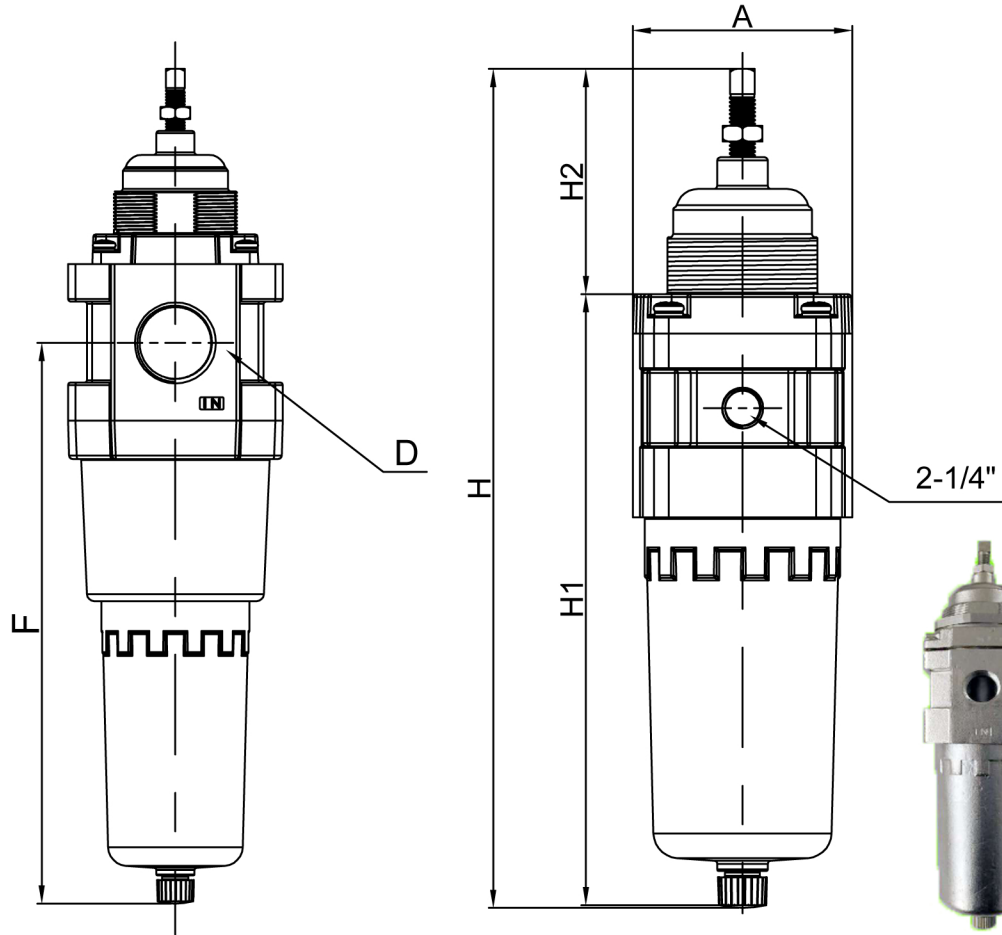
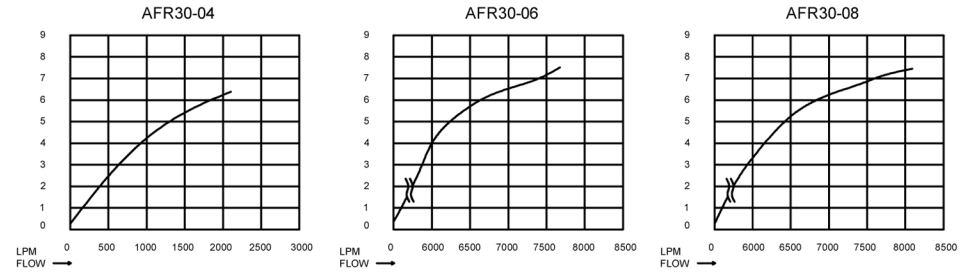
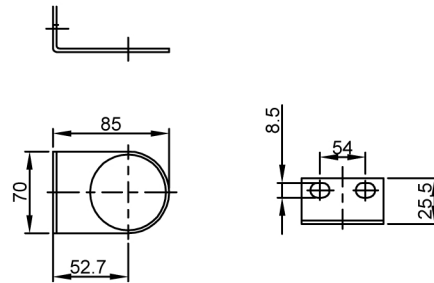
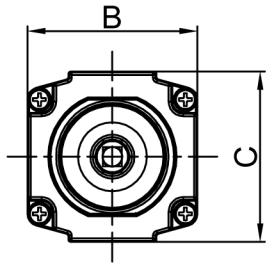


Mounting bracket

Regulated Pressure VS. Flow



Technical Specification:				
Model	AFSR30-03	AFSR30-04	AFSR30-06	AFSR30-08
Port Size	3/8"	1/2"	3/4"	1"
Medium	Compressed air			
Regulator Construction	Spool + regulating diaphragm			
Body Material	316SS			
Bowl Material	316SS			
Filtration	Standard			
Operating Pressure Range	0.5~10kgf/cm ²			
Max. Operating Pressure	10 kgf/cm ²			
Max. Flow Capacity (L/min)	2000	2500	7900	8100
Flow Coefficient (CV)	2	2.5	7.9	8.1
Ambient Temp.	-25°C ~ +70°C			
Standard Drain	Manual drain			
Accessories	Pressure gauge, mounting bracket, plug, bolts			

Dimension table:

Item	A	B	C	H	H1	H2	D	E	F	Model
1	69.5	69.5	69.5	265	194.5	71	3/8"	1/4"	158	AFSR30-03
2	69.5	69.5	69.5	265	194.5	71	1/2"	1/4"	158	AFSR30-04
3	90	90	90	349.5	267.5	82	3/4"	1/4"	235	AFSR30-06
4	90	90	90	349.5	267.5	82	1"	1/4"	235	AFSR30-08

Mark	PCS	Rev.No.	Signature	Date	Drawing	Technics	Standard
					Check	Audit	Date

NUTORC CORP.

Shanghai City Qingpu District Zhuguang Rd.899
www.nutork.com

TEL:86-021-59887103
FAX:86-021-59887203
E-mail:nutork@nutork.com

Drawing Mark	Angle of view	WEIGHT	RATIO	Parts No:
A4			1:1	AFSR30 Series 316SS Air Filter Regulator Outline Dimension Drawing
Total	Pages	Page No:		Drawing No: NU-AFSR30-WXT-EN